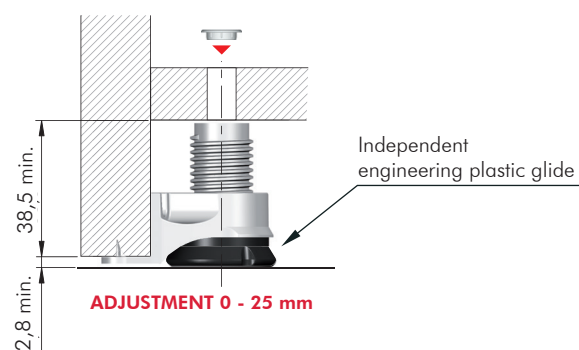
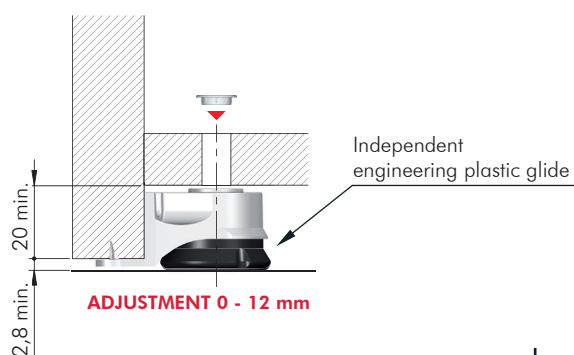




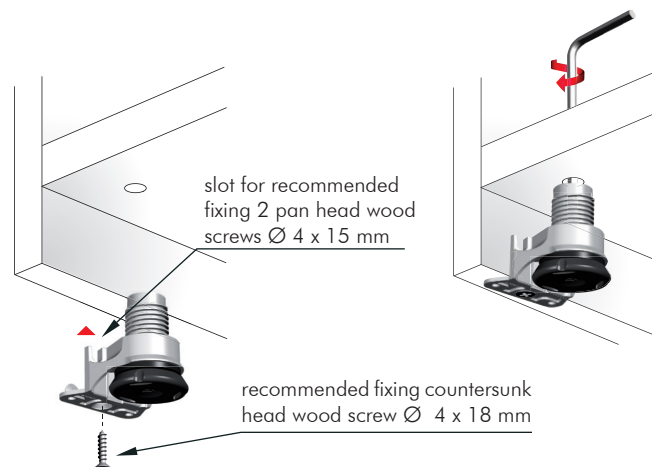
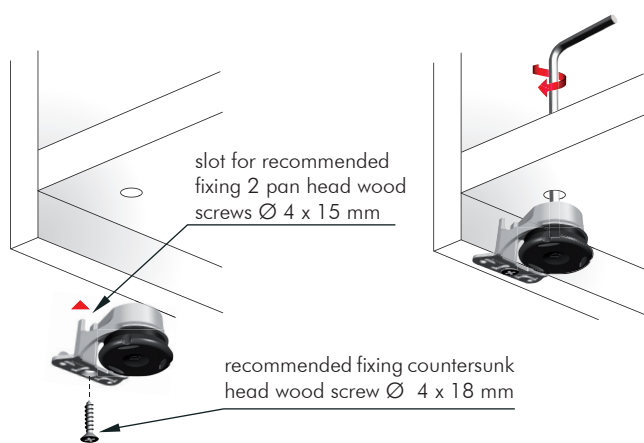
INTEGRATO WITH ZINC ALLOY FOOT



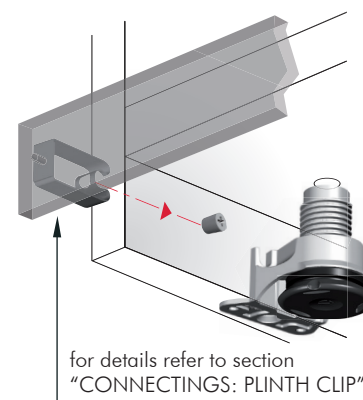
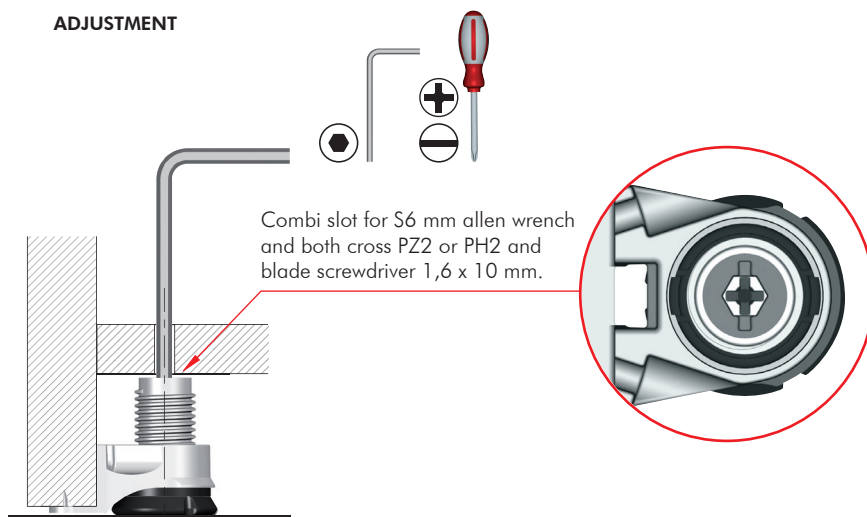
175 Kg per piece



INSTALLATION



ADJUSTMENT

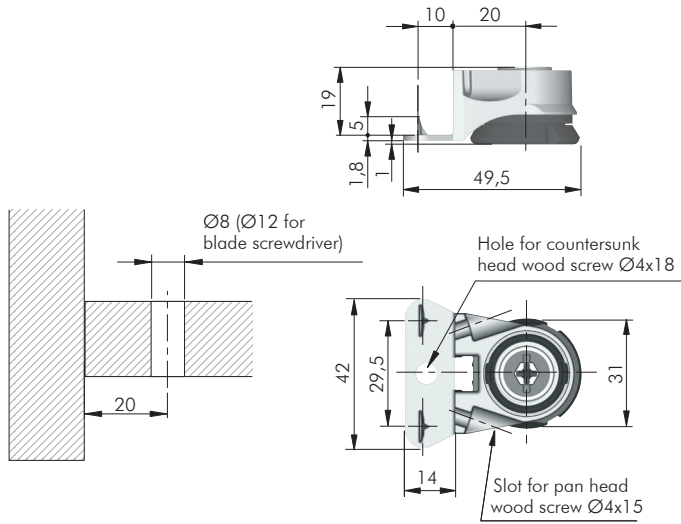


10



LEVELLERS

INTEGRATO G



ADJUSTMENT 0 - 12 mm

ZA EP

= 300 pcs.



3010601000



S6 mm



PZ2 - PH2



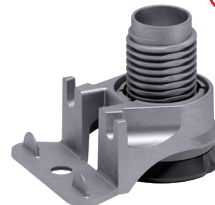
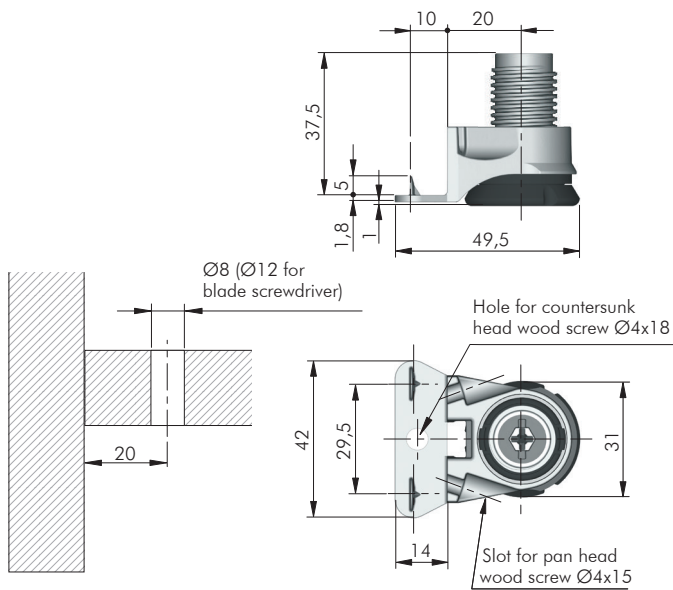
1,6x10 mm

3010603000

S4/S6 mm

-

-



ADJUSTMENT 0 - 25 mm

ZA EP

= 250 pcs.



3010602000



S6



PZ2 - PH2



1,6x10 mm

3010604000

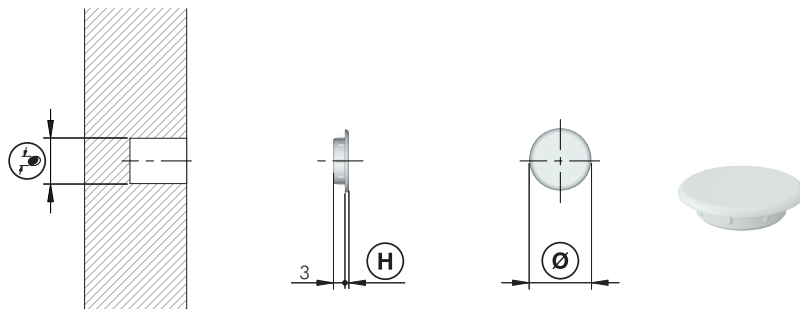
S4/S6 mm

-

-

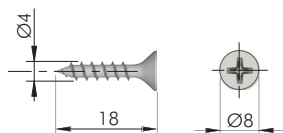


INTEGRATO ACCESSORY

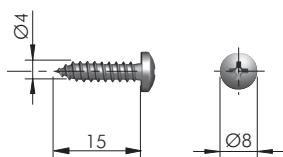


= Ø 8, Ø 12 mm					+
EP					
23002010AB	Ø 8	Ø 11	1	5000	
23002030AB	Ø 12	Ø 15	1	5000	

INTEGRATO FIXING ACCESSORIES



= Ø 3 mm					+
ST					= 1000 pcs.
60101580ZN					



= Ø 3 mm					+
ST					= 1000 pcs.
60103230ZN					