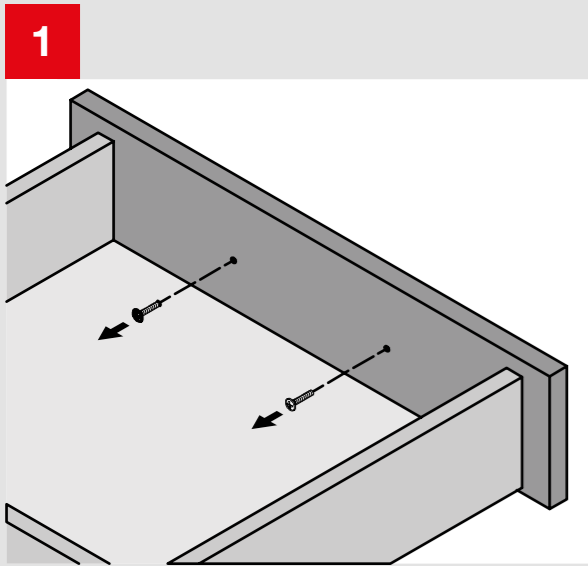
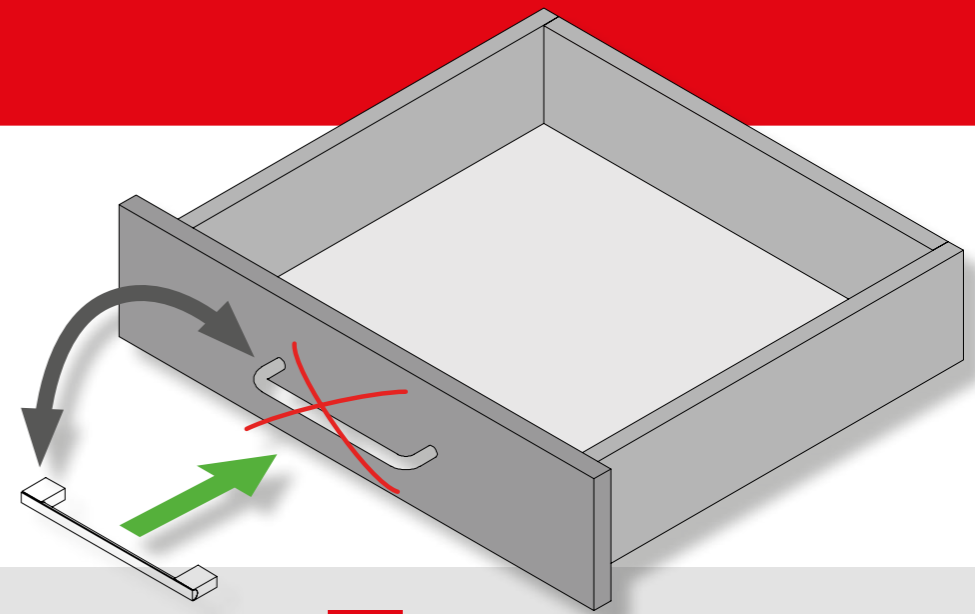
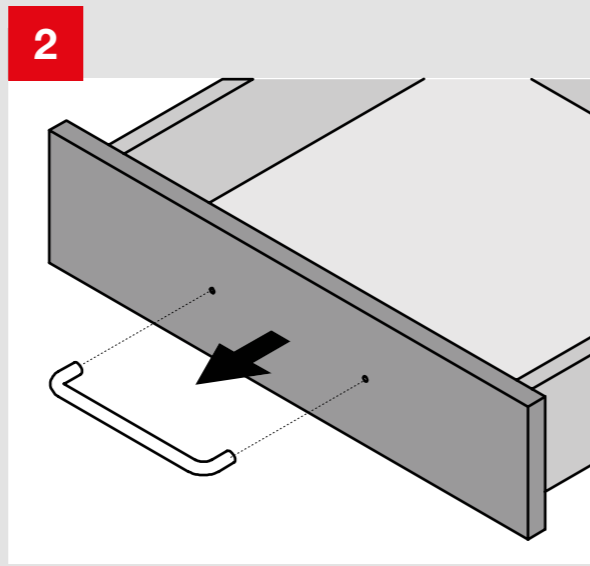


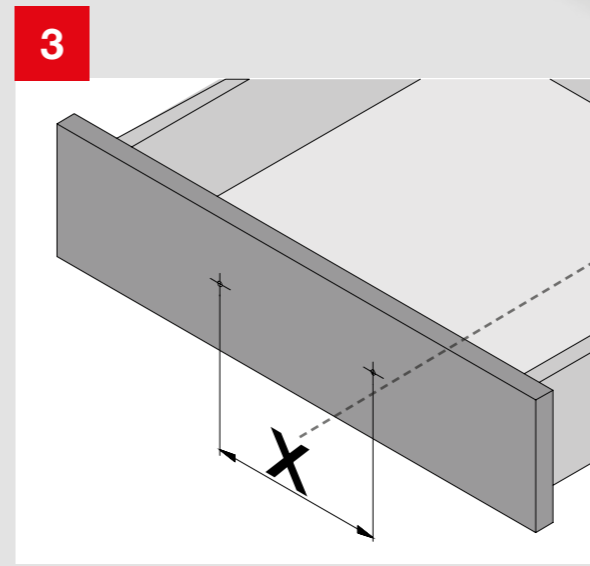
HOW TO CHANGE YOUR HANDLES IN A FEW STEPS



1. Unscrew the screws from the inside drawer front



2. Take off the old handle

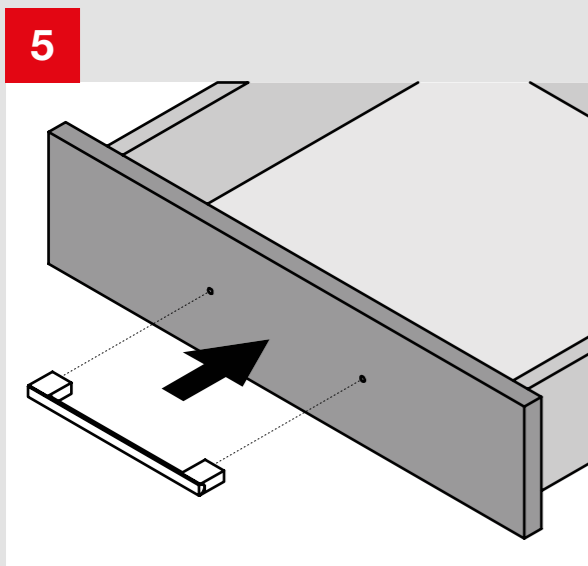


3. Measure the borehole spacing

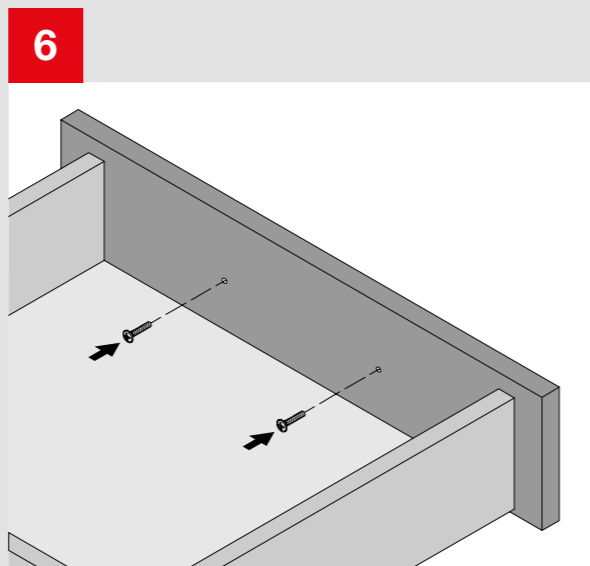
X
32 mm
64 mm
96 mm
128 mm
160 mm
192 mm
224 mm
256 mm
...

X=System 32

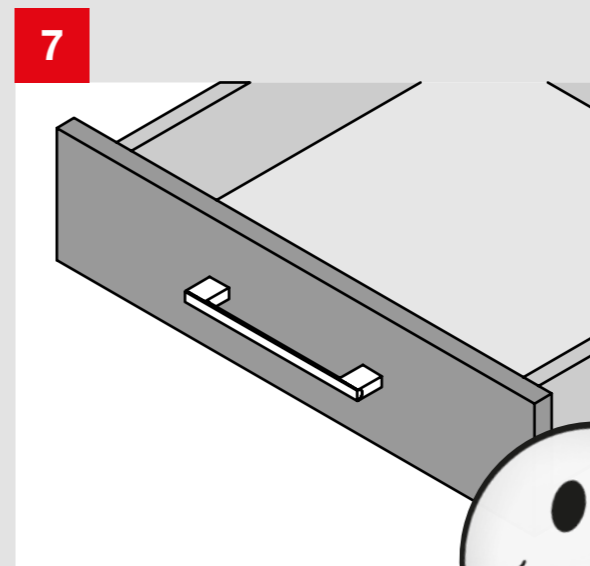
- The borehole spacing is standardized in distances of 32 mm
- Measure the borehole spacing at the drawer front
- Choose a handle with a matching borehole spacing (see table)



5. Put the new handle onto the drawer front



6. Fasten the screws at the inside drawer front



7. Well done!

4. Choose a handle with the appropriate borehole spacing from the SO-Tech product range